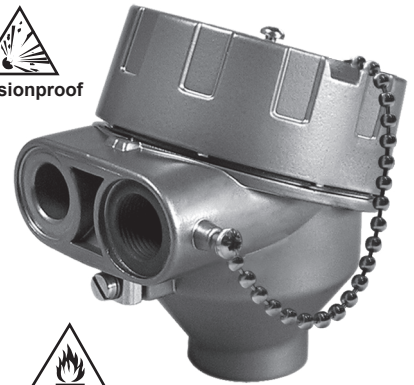
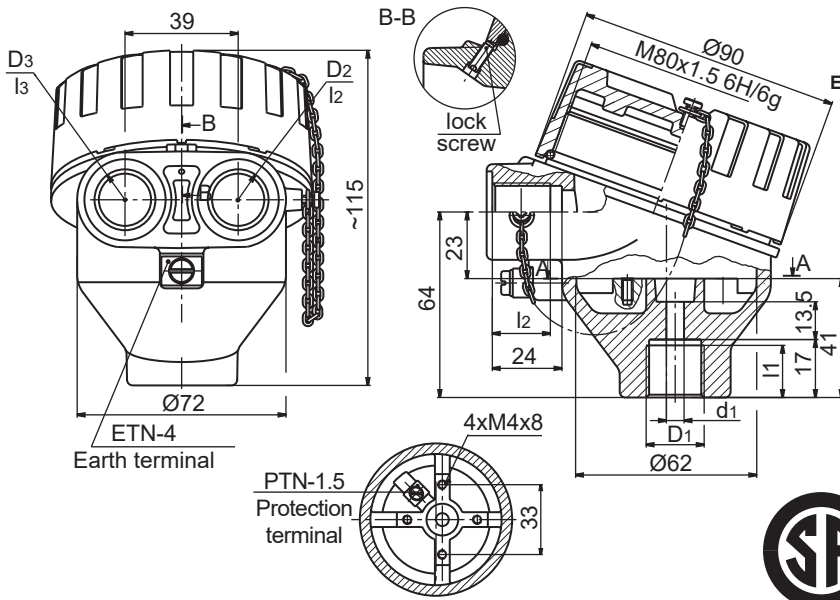


CONNECTION HEAD - type XD-AD



EX HEADS

06

| (1) | XD-AD | ORDERING CODE | SPECIFICATION |
|-----|---|---------------|---|
| (2) | Material of elements | 4 | Metal parts - stainless steel; seals - silicone rubber |
| | | 5 | Metal parts - stainless steel; seals - fluoroelastomer rubber |
| (3) | Cable gland thread D ₂ /D ₃ Please choose two variants of thread, separately for D ₂ and D ₃ For example: XD-AD-4-M2/CD... | M2 | M20x1.5 6H |
| | | N2 | ½NPTmod - modified ac. to FM3615 and CSA C22.2 No. 0.5 |
| | | N3 | ¾NPTmod - modified ac. to FM3615 and CSA C22.2 No. 0.5 |
| | | CD | CD = closed (D ₃ only) |
| (4) | Type of process thread D ₁ | M2 | M20x1.5 6H |
| | | M24 | M24x1.5 6H |
| | | M27 | M27x2 6H |
| | | N2 | ½NPTmod - modified ac. to FM3615 and CSA C22.2 No. 0.5 |
| (5) | Symbol of hole d ₁ diameter | N3 | ¾NPTmod - modified ac. to FM3615 and CSA C22.2 No. 0.5 |
| | | 13 | Ø13 or other hole on request (non flameproof) |
| (8) | Paint type | C | Creodur - Rafil (~30 µm) |
| | | SE | Spray epoxy (~70 µm) |
| | | SPU | Spray polyurethane on (SE) layer (~120 µm) |
| (9) | Paint colour | al | alu natural colour (only Creodur - Rafil) |
| | | yc | RAL 1007 daffodil yellow |
| | | ys | RAL 1003 signal yellow |
| | | bs | RAL 5005 signal blue |
| | | sb | RAL 5015 sky blue |
| | | sg | RAL 7032 pebble grey |
| | | gr | RAL 7035 light grey |
| | | ag | RAL 9002 grey white |
| | | sh | RAL 9006 white aluminium |
| | | gs | RAL 9007 grey aluminium |
| cw | RAL 9010 pure white | | |

Main features:

- material of body and cover - aluminium pressure die-castings, max 0.5%Mg
- service temperature:
T_{serv} = -50+150°C - silicone rubber
T_{serv} = -20+200°C - fluoroelastomer rubber
- maximum space for transmitter: Ø52x30mm
- coating: yellow chromating (optionally) and chemically resistant paint (outside only)

Material: aluminium EN AC 44200mod

EN AC 44200mod - the kind of material meets the requirements for use in potentially explosive areas. In addition, it is characterized by increased strength (pressure) parameters, while at the same time shows reduced copper (Cu) concentration.

Ordering example:

(1) (2) (3) (4) (5) (8) (9)
XD-AD 4 - M2/CD - M24/8.1 - SE sh